

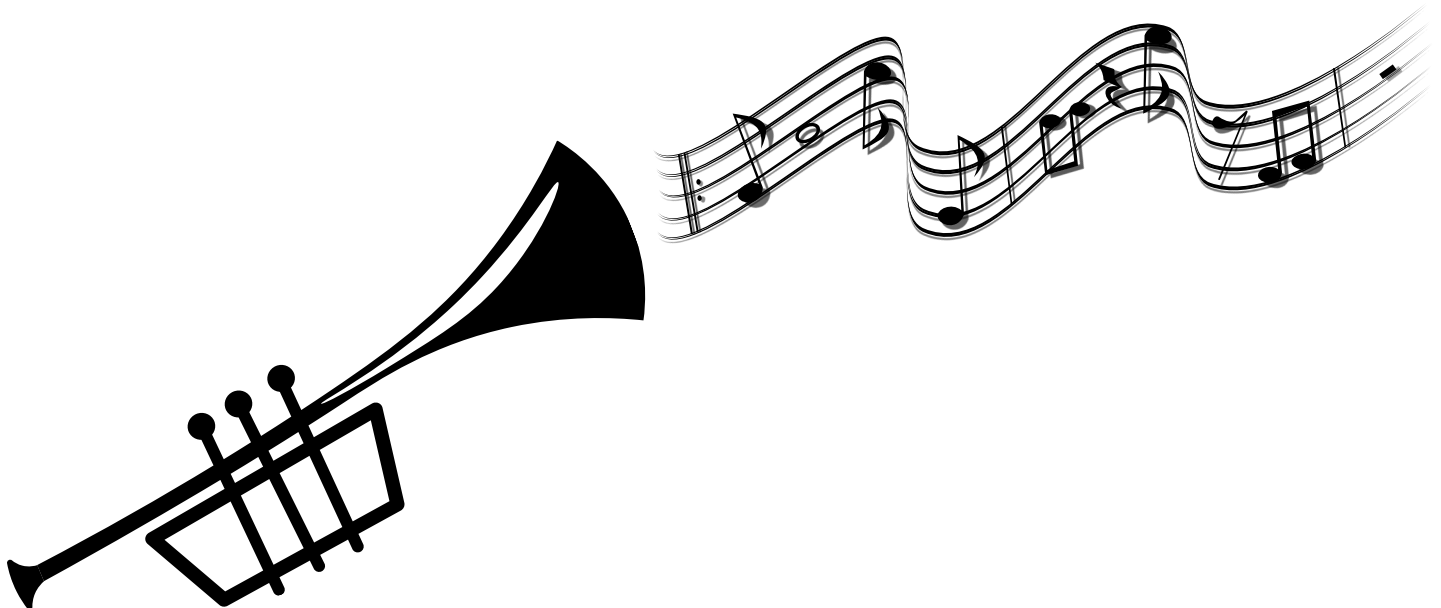
Name: _____ Teacher: _____

Grade: _____ Date: _____

Instrument of the week: Trumpet!

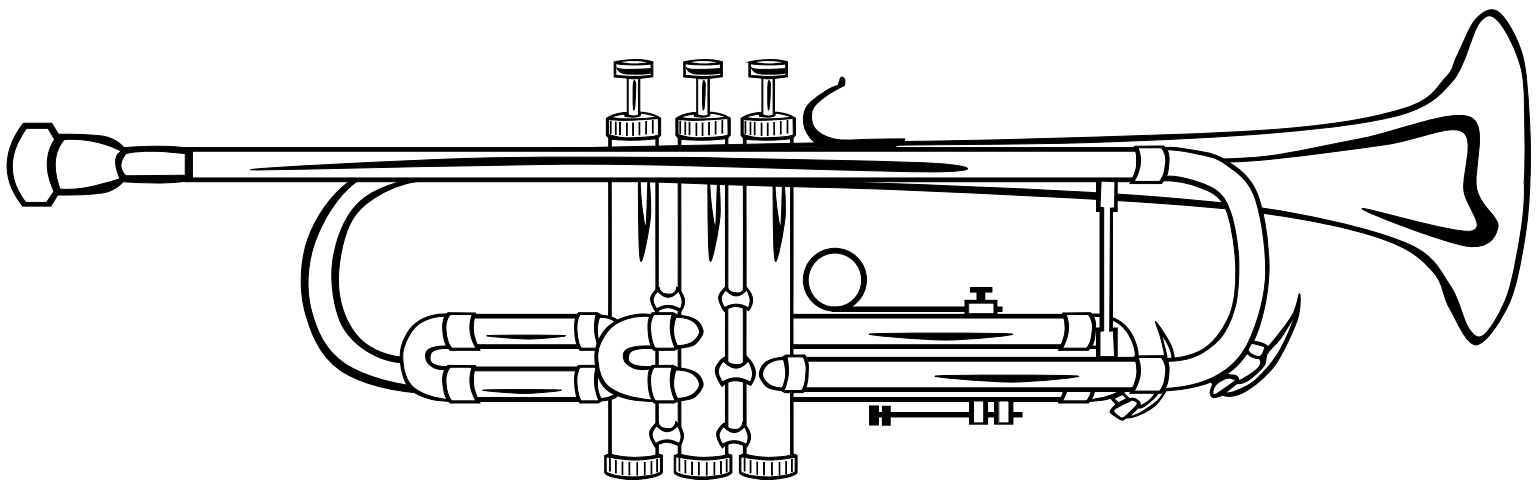
Directions: Unscramble the words!

1. The Trumpet is a part of the **SASRB** _ _ _ _ _.
2. Trumpets use a **TEUM** _ _ _ _ _ to make different or softer sounds.
3. To make sounds out of the Trumpet, you have to **ZUZB** _ _ _ _ _ your lips together on the mouthpiece.
4. The Trumpet has **HTREE** _ _ _ _ _ valves.
5. The Trumpet can make many different sounds including animal sounds like a **HRSEO** _ _ _ _ _.



Directions: Follow the instructions on what colors to use on the parts of the Trumpet!

1. Color the **Bell** blue!
2. Color the **three valves** red!
3. Color the **mouthpiece** purple!
4. Color the rest of the trumpet with a color of your choice!



Fun Facts!

- The trumpet has been an instrument for over 3,000 years!
- While the trumpet is the smallest member of the brass family, it is made of over 6 ½ feet of brass tubing.
- The trumpet only has 3 valves to create its various notes. But those 3 valves can make 45 different pitches.